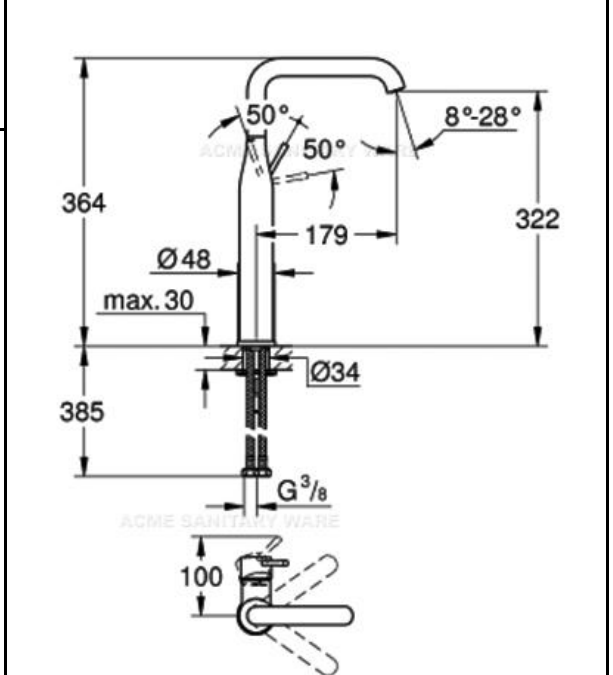




PROJECT		REF		REV	ITEM CODE	
LOCATION		DATE			PAGE	

SANITARY WARE SPECIFICATION SHEET

Item Descriptions	GROHE (Germany) "Essence" Brushed nickel 3/8" XL-Size single-lever basin mixer supplied with one pair of stainless steel wire braided water inlet flexible hose; nominated flow rate 5.5 L/min in WELS Grade 2 ; Registration No. TM 21-0087
Dimensions	L179 x W100 x H364 mm
Model	32901EN1
Finish	Brushed Nickel
Country of Origin	Portugal
Manufacturer	GROHE Limited
Supplier	Acme Sanitary Ware Co. Ltd Mr. Eric Wong/ Mr. Don Yuen
Contact Tel/Fax	(852) 2388-7171 / (852) 2710-8012
E-mail	acme@acmesanitary.com.hk
Website	www.acmesanitary.com.hk



"Essence"
3/8" single-lever basin mixer

- monobloc installation
- metal lever
- **for free-standing basins**
- 28 mm ceramic cartridge with **GROHE SilkMove**
- with temperature limiter
- **GROHE StarLight** chrome finish
- **GROHE EcoJoy** mousseur 5.7 l/min
- **GROHE AquaGuide** adjustable mousseur
- **GROHE QuickFix Plus** rapid installation
- system swivel spout with mousseur and stop limiter
- smooth body
- flexible connection hoses

- Colour options:**
- 001 | StarLight Chrome
 - DC1 | SuperSteel
 - DA1 | Warm Sunset
 - A01 | Hard Graphite
 - AL1 | Brushed Hard Graphite
 - GL1 | Cool Sunrise
 - GN1 | Brushed Cool Sunrise
 - DL1 | Brushed Warm Sunset
 - BE1 | Polished Nickel
 - EN1 | Brushed Nickel

* All information of the above is for the reference only. No prior notice is made if any changes.



PROJECT		REF		REV	ITEM CODE	
LOCATION		DATE			PAGE	

SANITARY WARE SPECIFICATION SHEET

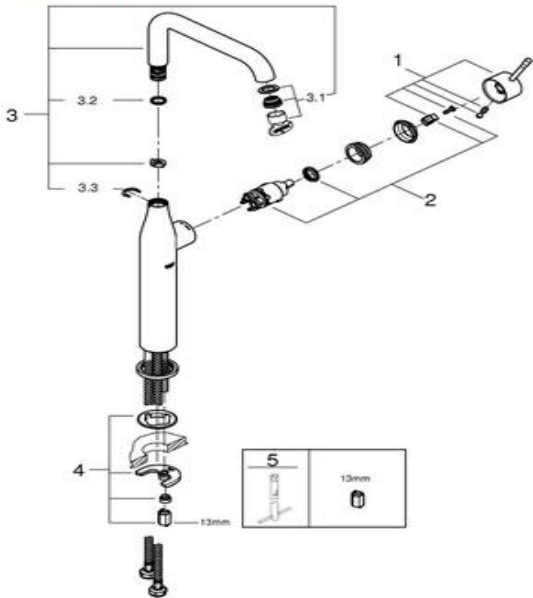
GROHE ESSENCE

UNDERSTATED ELEGANCE

Classic lifestyle, gently interpreted. For people who are attracted by clear, visually pleasing designs, GROHE Essence brings aesthetics without pretension. Complete bathrooms in this range use balanced, modern styling and create space for inventive furnishing ideas and innovative technologies.



SPARE PARTS

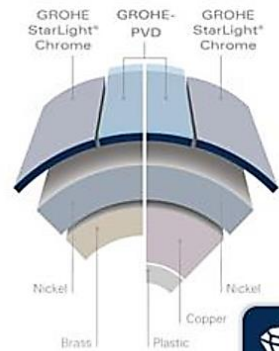


AquaGuide



GROHE EcoJoy

GROHE StarLight®



GROHE surface hardness

GROHE scratch resistance



Pos.-nr.	Prod. description	Order-nr.
1	Lever	46919000
2	Cartridge	46580000
3	Tubular spout	13375000
3.1	Mousseur	48270000
3.2	Sealing washer Ø 13.5 x Ø 2.75	0128500M
3.3	Safety ring	4826600M
4	Shank fastening assembly	46645000
5	Mounting wrench	19017000*

* Optional accessories

Note:

* All information of the above is for the reference only. No prior notice is made if any changes.

註冊號碼 (Registration No.): TM 21-0087




自願參與用水效益標籤計劃 - 水龍頭
Voluntary Water Efficiency Labelling Scheme - Water Taps



茲證明
This is to certify that

將下列水龍頭在本計劃內註冊：
has registered the following water tap under this scheme :

- 牌子 / Brand : Grohe
 - 型號 / Model : 32901XX1 + 407007031
 - 種類 / Type : Mixing
 - 原產地 / Country or Region Origin : Portugal (Mixer)
Germany (Flow Controller)
- XX – denotes the code of colour

在用水效益標籤上展示的標誌 <i>Symbolic Presentation on the Water Efficiency Label</i>	:		滴水點 <i>Water droplet(s)</i>
用水效益級別 <i>Water Efficiency Grade</i>	:	2	
耗水量 <i>Water Consumption</i>	:	5.5	公升/分鐘 <i>litres/minute</i>

簽發日期：
Date of Issue: 22 March 2021



水務署署長(張業駒代行)
for Director of Water Supplies



水務署
Water Supplies Department



香港灣仔道七號入境事務大樓 48 樓
Tower, 7 Gloucester Road, Wan Chai, Hong Kong

本署編號
Our ref.
來函編號
Your ref.

3321/2020 T/J(1120/2020)

電話 :
Tel. :
傳真 : 2824 0578
Fax.

8 October 2020



**Approval of "GROHE" Basin Mixer
(General Acceptance No. C20200884)**

Your letter ref. WRC/2321 dated 20 August 2020 refers.

Having considered the test report ref. J24985A issued on 6 March 2020 by Nutek Systems (HK) Ltd., this Authority accepts that the fitting described below complies with, and its use when correctly installed does not contravene, the Waterworks Ordinance and Regulations.

Name of Manufacturer: Grohe AG
Country of Origin: Portugal
Brand: Grohe
Details of Fitting: 3/8" Single lever basin mixer
Model: 32901XX1
(where the digits "XX" denote the code of colour)
Body Markings: 
Expiry Date: 19 January 2025



This Authority hereby permits the use of the above fitting in fresh water plumbing systems subject to full adherence to Waterworks installation requirements. In particular, you are required to draw your customers' attention to the following requirement-

"The cold water supply to the fitting shall be drawn from the same source that supplies the hot water apparatus so as to provide a balanced pressure and to obviate the risk of scalding in the event of a restriction or failure in the water supply."

A condition of this acceptance is that the fitting to be installed shall be replicas of the sample as certified by the testing agent mentioned above and without modifications. This acceptance may be withdrawn at any time if the standard of the fitting installed fails to meet that of the approved sample or if the fitting is found to be unsuitable for use in fresh water plumbing systems.

This acceptance is only applicable to the main body of the fitting, unless otherwise specified.

For the use of the fitting in any project, the General Acceptance Number of this letter must be quoted as a means of identification of acceptance of the fitting by this Authority.

Should you have any enquiries, please contact our Engineer Mr. Terry KUNG at tel. no. 3583 4086.

Yours faithfully,



(CHAN Chung-kun)

for Director of Water Supplies

Encl.

c.c. WSD 3321/1/82] - without catalogue
 ME/MC] - with soft copy only